

零件目录表

GS51EMR-50L

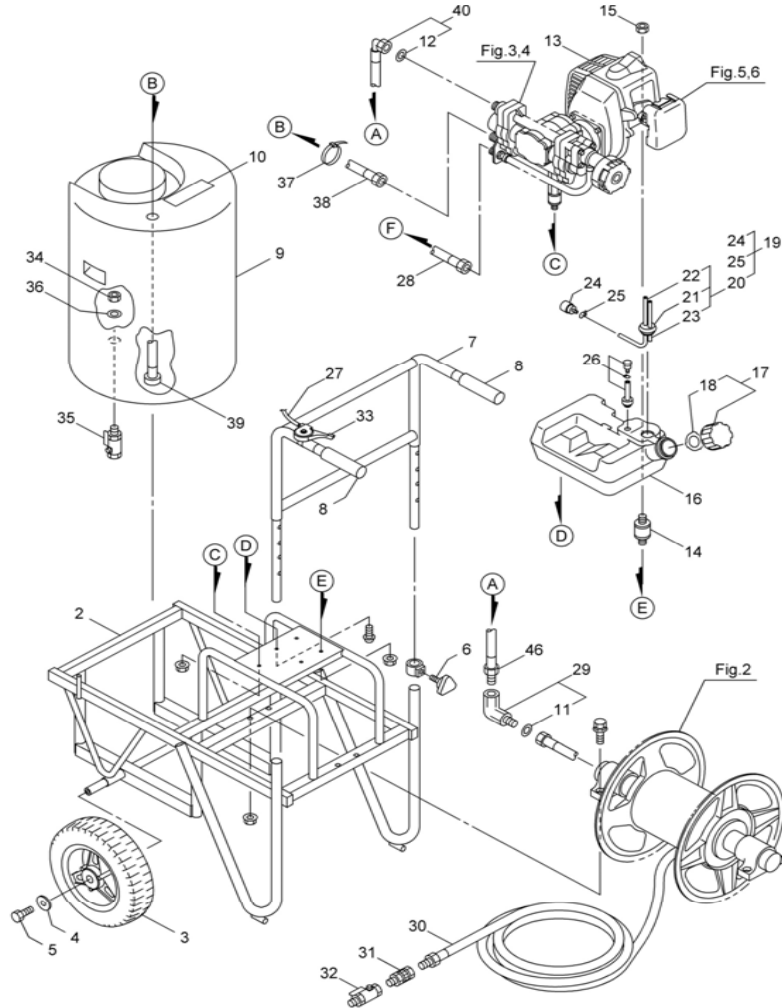
便携式动力喷雾机成套设备



 株式会社 **丸山製作所**

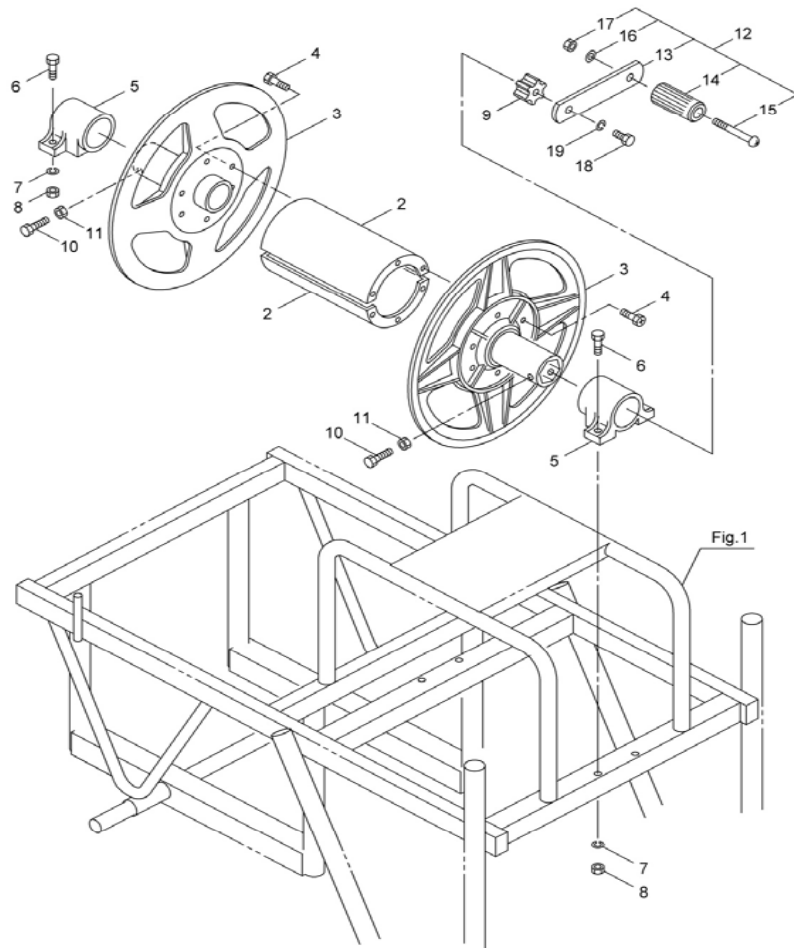
1. GS51EMR-50L (CHINA)
机身

38--[39]



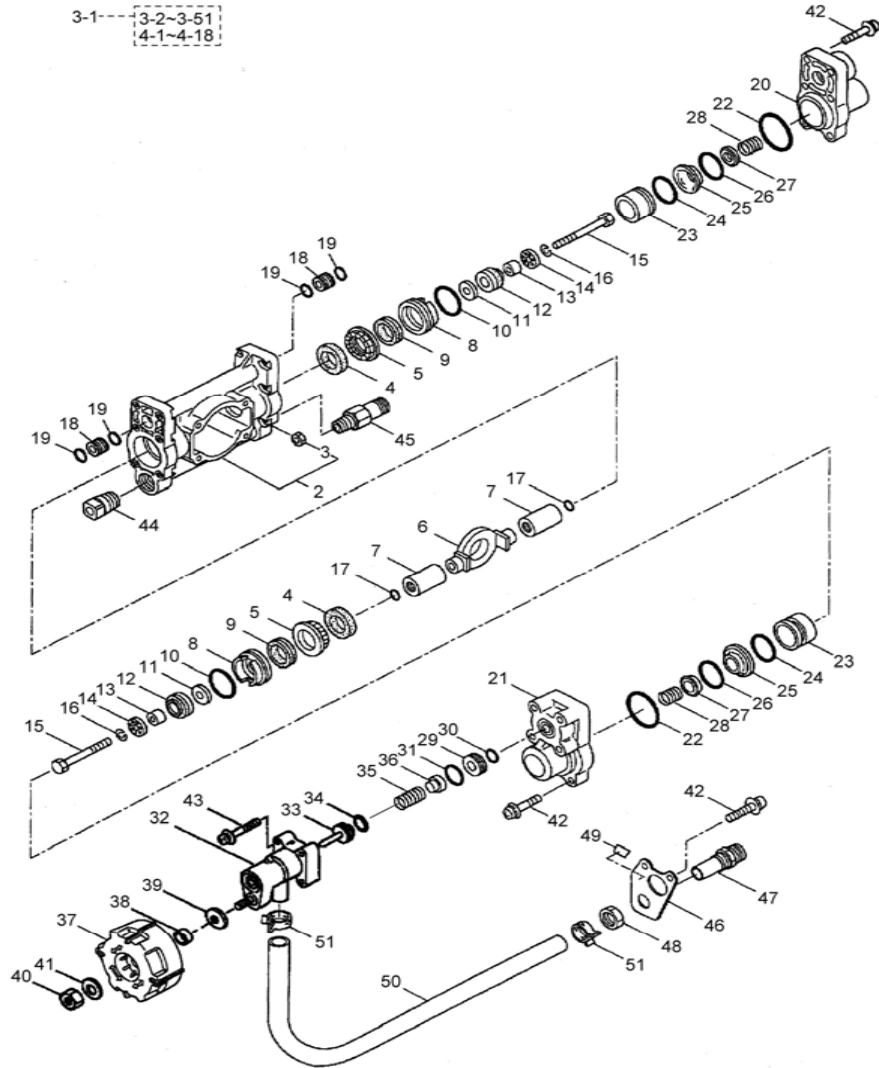
Ref.No.	Parts No.	Parts Name	Parts Name (Chinese)	Q'ty	Remarks
1-1	354445	GS51EMR-50LCHINA		1	
1-2	830741	Frame, Ass'y	机身	1	
1-3	548446	Wheel	车轮	2	
1-4	548445	Washer	垫片	2	8.5X29XT1.6
1-5	080126	Bolt	螺栓	2	M8X20
1-6	548444	Knob Bolt	旋紧螺栓	2	M6
1-7	548443	Handle, Ass'y	把手组件	1	
1-8	548442	Grip	握柄	2	
1-9	830659	Chemical Tank	药箱	1	
1-10	124960	Label	标签	1	
1-11	163859	Packing	密封圈	1	6.5X11.5XT1.5
1-12	013572	Packing	密封圈	1	11.5X16XT1.5
1-13	850664	Engine	引擎	1	BE230P/25(GS51EMR)
1-14	122075	Buffer	减震器	2	25-M6X14X8.5
1-15	081031	Nut	螺母	2	M6
1-16	121626	Fuel Tank, Ass'y	燃油箱组件	1	
1-17	261584	Tank Cap, Ass'y	燃油箱组件	1	Incl.18
1-18	261105	Packing	密封圈	1	
1-19	267309	Fuel Pipe, Ass'y	输油管组件	1	Incl.20-25
1-20	266955	Pipe, Ass'y	软管组件	1	Incl.21-23
1-21	261115	Grommet	软管锁扣	1	
1-22	265469	Fuel Pipe	输油管	1	140L
1-23	263038	Pipe	软管	1	3X6X85
1-24	264653	Filter, Ass'y	过滤网组件	1	
1-25	261117	Clip	夹子	1	
1-26	261696	Breather, Ass'y	透气孔组件	1	
1-27	123153	Throttle Wire	节流阀调节油门线	1	
1-28	103792	Hose, Ass'y	软管组件	1	8X13X2500L
1-29	541127	Elbow	弯管	1	Incl.11
1-30	830760	Hose	软管	1	7.5X20M
1-31	814042	Swivel Joint	回转接头	1	G1/4
1-32	105891	Ball Cock	球阀	1	G1/4XG1/4
1-33	103032	Throttle Lever	节流阀	1	
1-34	018994	Nut	螺母	1	G3/8
1-35	058975	Cock	阀门	1	G3/8
1-36	150773	Packing	密封圈	1	17X25X4
1-37	110847	Hose Band	软管绷带	3	
1-38	103790	Hose	软管	1	Incl.39
1-39	144087	Strainer, Ass'y	过滤网组件	1	
1-40	830639	Hose	软管接头	1	Incl.12

2. GS51EMR-50L (CHINA)
软管绞盘



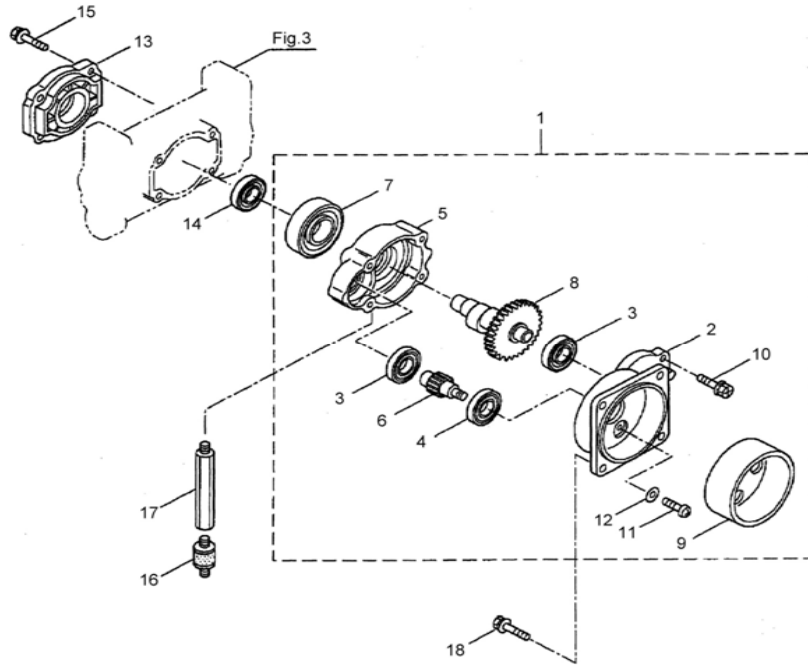
Ref.No.	Parts No.	Parts Name	Parts Name (Chinese)	Q'ty	Remarks
2-1	548441	Hose Reel, Ass'y	软管绞盘组件	1	
2-2	548440	Drum	圆筒	2	96X172
2-3	548417	Hose Reel Side	绞盘测盘	2	280X101
2-4	546173	Screw	螺钉	12	M4X25
2-5	546018	Shaft Holder	绞盘轴固定支架	2	
2-6	089277	Bolt	螺栓	4	M8X25
2-7	015846	Spring Washer	弹簧垫片	4	M8
2-8	081249	Bolt	螺栓	4	M8X1.25
2-9	548416	Sleeve	防滑轴芯	1	30X20XM8
2-10	089053	Bolt	螺栓	6	M6X20
2-11	081240	Nut	螺母	6	M6
2-12	548415	Handle, Ass'y	摇杆手柄组件	1	Incl.13-17
2-13	548414	Handle Stay	摇杆	1	30X6X140
2-14	546169	Grip	摇杆把手	1	
2-15	546170	Bolt	螺栓	1	
2-16	065005	Washer	垫片	1	M6
2-17	081240	Nut	螺母	1	M6
2-18	089277	Bolt	螺栓	1	M8X25
2-19	015846	Spring Washer	弹簧垫片	1	M8

3. GS51EMR-50L (CHINA) 泵 (曲轴箱)



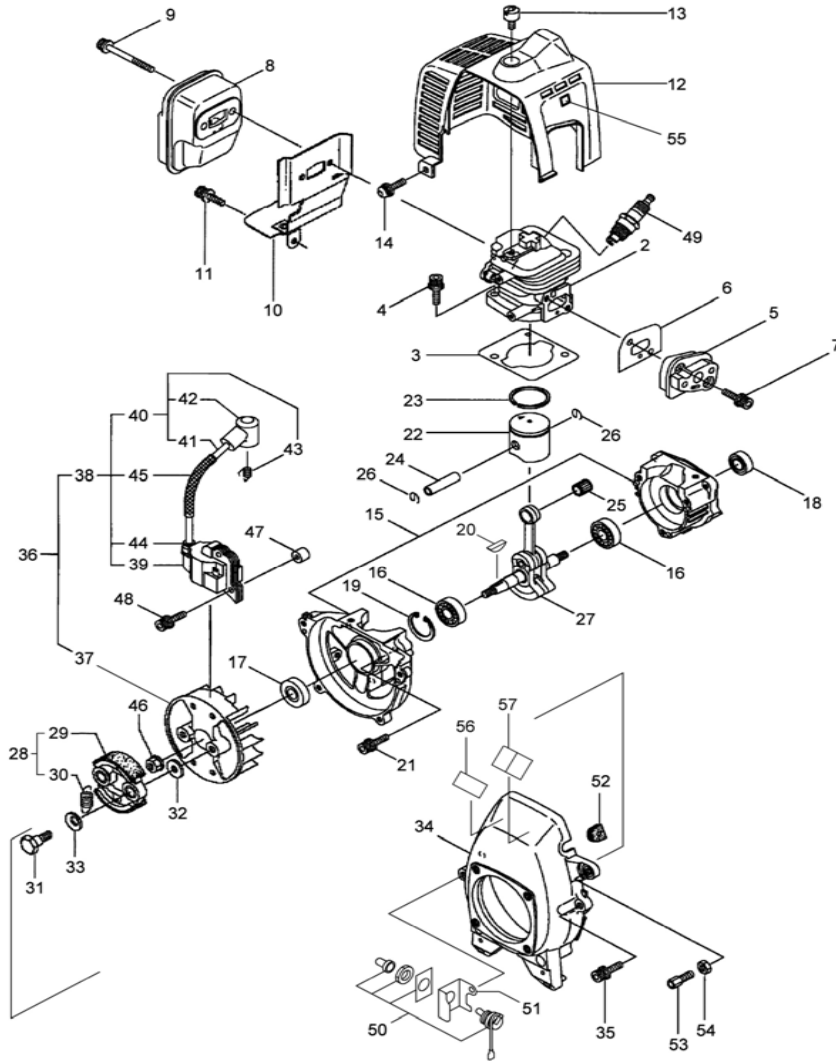
Ref.No.	Parts No.	Parts Name	Parts Name (Chinese)	Q'ty	Remarks
3-1	123151	Pump, Ass'y	泵组件	1	Incl.2-51 Incl.4-1-4-18
3-2	121831	Crank Case, Ass'y	曲轴箱组件	1	Incl.3
3-3	081238	Nut	螺母	12	M5X0.8
3-4	102683	Oil Seal	油封	2	G16244
3-5	106190	Collar	凸边项圈	2	
3-6	121179	Rod	联动杆	1	M5
3-7	118055	Sleeve	套筒	2	15X28.5
3-8	102358	Seal Retainer	密封护圈	2	
3-9	112252	Packing	密封圈	2	
3-10	013977	O-Ring	O型圈	2	S26
3-11	043426	Inret Valve Seat	阀门座	2	5X17X2.8
3-12	100441	Piston Ass'y	活塞组件	2	20.5
3-13	023357	Spacer	隔离套管	2	5X8X10
3-14	022023	Piston Retainer	活塞支架	2	5X16X3
3-15	118357	Bolt	螺栓	2	M5X45X22
3-16	015848	Spring Washer	弹簧垫片	2	M5
3-17	021549	O-Ring	O型圈	2	P5
3-18	100554	Pipe	软管	2	6X12X10
3-19	014175	O-Ring	O型圈	4	P9
3-20	103128	Cylinder Head A	泵盖A	1	
3-21	102634	Cylinder Head B	泵盖B	1	
3-22	013983	O-Ring	O型圈	2	S31.5
3-23	103130	Cylinder Pipe	泵套管	2	20X26X18
3-24	023172	O-Ring	O型圈	2	P22
3-25	118018	Seat	阀座	2	
3-26	103575	O-Ring	O型圈	2	23X1.5
3-27	043723	Valve	泵膜	2	16X1.5
3-28	043360	Spring	弹簧	2	0.7-15L
3-29	103746	Seat	阀座	1	
3-30	011343	O-Ring	O型圈	1	P10A
3-31	011346	O-Ring	O型圈	1	P14
3-32	103132	Spring	弹簧	1	
3-33	103758	Spring Retainer	弹簧限位器	1	
3-34	011682	O-Ring	O型圈	1	P10
3-35	103759	Spring	弹簧	1	2.0-30L
3-36	103747	Valve	泵膜	1	
3-37	110780	Cum handle	调节旋钮	1	
3-38	127225	Collar	凸边项圈	1	8X10X5.3
3-39	127217	Washer	垫片	5	8.5X14X0.5
3-40	081039	Nut	螺母	1	M8
3-41	014065	Washer	垫片	1	M8
3-42	121956	Screw	螺钉	8	M5X32(SMK)
3-43	816036	Screw	螺钉	4	M5X60(SMK)
3-44	108460	Plug	塞子	1	R3/8
3-45	103411	Nipple, Reducer	内接头	1	R3/8XG3/8
3-46	103412	Bracket	支架	1	
3-47	103413	Nipple	内接头	1	G1/4
3-48	025604	Nut	螺母	1	G1/4
3-49	103414	Label	标签	1	
3-50	103760	Hose	软管	1	10X15X240
3-51	103033	Hose Band	软管卡子	2	

4. GS51EMR-50L (CHINA)
泵 (减速齿轮)



Ref.No.	Parts No.	Parts Name	Parts Name (Chinese)	Q'ty	Remarks
4-1	121621	Reduction Gear, Ass'y	减速齿轮箱组件	1	Incl.2-12
4-2	103137	Case, Clutch	离合器外壳	1	
4-3	102680	Bearing	轴承	2	#6000ZZ
4-4	112184	Bearing	轴承	1	6000DDU(NSK)
4-5	103138	Case, Gear	齿轮箱外壳	1	
4-6	118200	Gear, Pinion	小齿轮	1	
4-7	103144	Bearing	轴承	1	#6004ZZ
4-8	121622	Crank Shaft, Ass'y	曲轴组件	1	
4-9	127367	Clutch, Drum	离合器鼓	1	WJR2525
4-10	125824	Bolt	螺栓	2	M6X16(SMK)
4-11	127219	Screw	螺钉	2	M6X12(ISO)
4-12	127227	Spacer	垫片	2	
4-13	118006	Bearing, Case	轴承外壳	1	
4-14	102680	Bearing	轴承	1	#6000ZZ
4-15	127231	Bolt	螺栓	4	M6X55
4-16	122075	Buffer	减震器	1	25-M6X14X8.5
4-17	120613	Extension	加长杆	1	
4-18	092548	Bolt	螺栓	4	M5X15

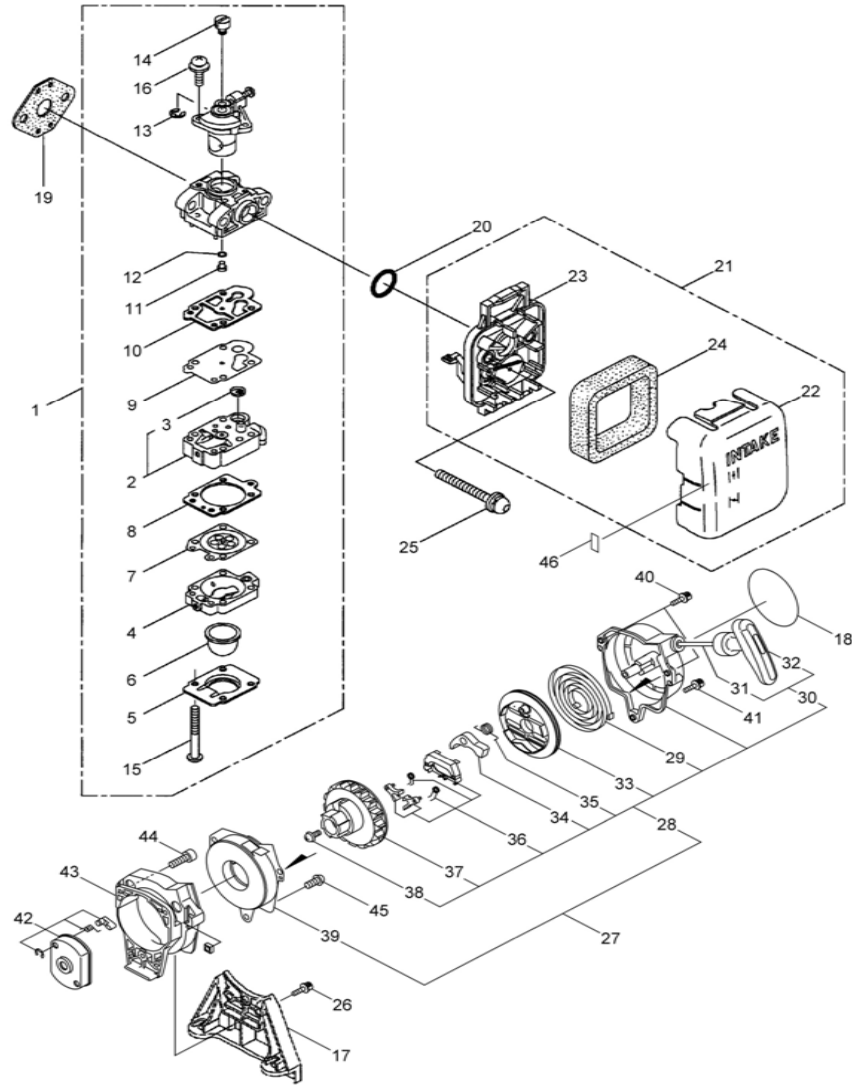
5. GS51EMR-50L (CHINA)
引擎 (气缸)



521831-05

Ref.No.	Parts No.	Parts Name	Parts Name (Chinese)	Q'ty	Remarks
5-1	850664	Engine	引擎	1	BE230P/25
5-2	266249	Cylinder	气缸	1	
5-3	283420	Gasket	衬垫	1	
5-4	267290	Screw	螺钉	2	M5X20
5-5	265802	Insulator	隔热绝缘灭板	1	
5-6	267049	Gasket	衬垫	1	
5-7	265924	Screw	螺钉	2	
5-8	268664	Muffler Ass'y	消音器组件	1	
5-9	266264	Screw	螺钉	2	M5X50
5-10	267189	Gasket Complete	衬垫支架	1	
5-11	261607	Bolt	螺栓	1	M5X16
5-12	269381	Top Cover	引擎保护外壳	1	
5-13	264022	Knob Ass'y	固定螺钉组件	1	
5-14	267177	Screw	螺钉	1	M5X16WSW-11.6
5-15	267063	Crank Case	曲轴箱组件	1	
5-16	280488	Bearing	轴承	2	
5-17	261492	Oil Seal	油封	1	
5-18	261386	Oil Seal	油封	1	
5-19	055185	C-Ring	C型卡环	1	
5-20	261076	Key	半月键	1	3X10
5-21	261612	Bolt	螺栓	3	M5X30
5-22	263569	Piston Ass'y	活塞组件	1	
5-23	263789	Piston Ring	活塞环	1	
5-24	261036	Piston Pin	活塞销	1	5.7X8X23.5L
5-25	263957	Needle Bearing	滚针轴承	1	
5-26	261576	Clip	弹夹	2	
5-27	267193	Crank Shaft Complete	曲轴杆	1	
5-28	264503	Clutch Ass'y	离合器组件	1	Incl.29,30
5-29	264504	Clutch Shoe	离合器瓦	2	
5-30	263614	Spring	弹簧	1	2.0-25.6L
5-31	264505	Bolt	螺栓	2	
5-32	261189	Washer	垫片	2	6X16.5XT1.2
5-33	261777	Washer	垫片	2	
5-34	283028	Fan Cover	风扇外壳	1	
5-35	261250	Bolt	螺栓	4	M5X20
5-36	267391	Magnet Ass'y	电磁组件	1	Incl.36-45
5-37	261356	Rotor	转子	1	
5-38	267400	Ignition Coil Ass'y	点火线圈	1	Incl.39-45
5-39	267401	Coil	线圈	1	
5-40	267403	Cord Ass'y	导线组件	1	Incl.41-43
5-41	267404	Cord	导线	1	
5-42	261074	Plug Cap	插头	1	
5-43	261075	Hook	钩环	1	
5-44	261072	Cap	接座	1	
5-45	269418	Tube	软管	1	
5-46	261417	Washer	垫圈螺母	1	M8
5-47	280381	Spacer	隔离垫片	2	
5-48	261256	Bolt	螺栓	2	M4X25
5-49	264652	Spark Plug	火花塞	1	
5-50	269676	Stop Switch Ass'y	停止开关组件	1	
5-51	269419	Stay	支板	1	
5-52	261202	Grommet	锁眼	1	
5-53	264736	Screw	螺钉	1	
5-54	261878	Nut	螺母	1	M6
5-55	269824	Label	标签	1	
5-56	281197	Label	标签	1	
5-57	281198	Label	标签	1	

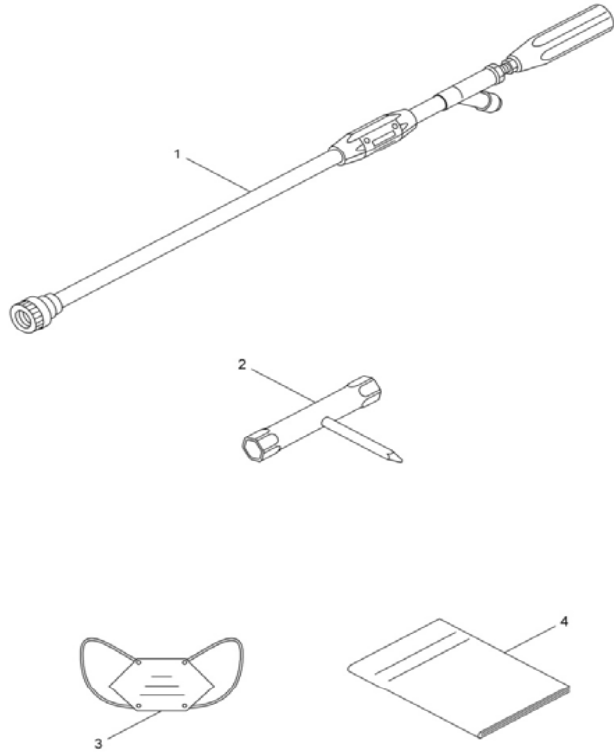
6. GS51EMR-50L (CHINA)
引擎 (汽化器, 反冲启动器)



521831-06

Ref.No.	Parts No.	Parts Name	Parts Name (Chinese)	Q'ty	Remarks
6-1	269677	Carburetor Ass'y	汽化器组件	1	Incl.2-16
6-2	263739	Pump Body	泵壳	1	Incl.3
6-3	261872	Screen	滤垫	1	
6-4	262991	Purge Body	泵壳	1	
6-5	262992	Pump Cover	泵盖	1	
6-6	261874	Primer	吸液泵帽	1	
6-7	283905	Diaphragm	隔膜	1	
6-8	262993	Gasket	衬垫	1	
6-9	262994	Diaphragm	隔膜	1	
6-10	282576	Gasket	衬垫	1	
6-11	268953	Jet	喷口	1	
6-12	261871	O-ring	O型圈	1	
6-13	261876	Ring	C型卡环	1	
6-14	261658	Swivel	转头	1	
6-15	262996	Screw	螺栓	4	
6-16	264682	Screw	螺栓	2	
6-17	283044	Bracket	托架	1	
6-18	123147	Label	标签	1	
6-19	261864	Gasket	衬垫	1	
6-20	264691	O-Ring	O型圈	1	
6-21	266420	Cleaner Ass'y	空气滤器组件	1	Incl.22-24
6-22	264709	Cleaner Cover	空气滤器外壳	1	
6-23	266433	Case Ass'y	空气滤器底座	1	
6-24	264695	Element	过滤芯	1	
6-25	264016	Bolt	螺栓	2	M5X60
6-26	261607	Bolt	螺栓	2	M5X16
6-27	282843	Rewind Starter Ass'y	反冲启动器组件	1	Incl.28-39
6-28	282844	Starter Case Ass'y	启动装置组件	1	Incl.29-38
6-29	281220	Return Spring	复位弹簧	1	
6-30	282845	Rope Ass'y	启动绳组件	1	Incl.31,32
6-31	281222	Rope	启动绳	1	
6-32	282841	Starter Knob	启动绳把手	1	
6-33	281224	Reel	拉绳卷轴	1	
6-34	281225	Pawl	棘爪	1	
6-35	281226	Pawl Spring	爪簧	1	
6-36	281227	Slider Ass'y	滑动器组件	1	
6-37	281232	Center Shaft	中心顶尖轴	1	
6-38	269227	Tapping Screw	自攻螺钉	1	
6-39	281233	Main Spring Complete	主弹簧	1	
6-40	281211	Screw	螺钉	2	M4X20 WSW
6-41	265726	Bolt	螺栓	1	M4X16
6-42	269764	Starter	启动装置	1	
6-43	282703	Adapter Ass'y	适配器组件	1	
6-44	265726	Bolt	螺栓	3	M4X16
6-45	283580	Screw	螺钉	2	
6-46	281007	Label	标签	1	

7. GS51EMR-50L (CHINA)
附件



Ref.No.	Parts No.	Parts Name	Parts Name (Chinese)	Q'ty	Remarks
7-1	549718	Super Jet Mini	喷枪	1	
7-2	549653	Combainition Box Spanner	专用工具 (套筒扳手)	1	
7-3	124903	Mask	防护用具 (口罩)	1	
7-4	548367	Instruction Manual(China)	产品使用说明书 (中文版)	1	